

### APPLICATION

Selfpriming twin-impeller water pumps with ejector for suction up to 8-9 mt. A suction up to 35 mt. depth can be allowed by taking the ejector down and connecting it to the pump by means

of a double hose and a foot valve. Suitable for civil and industrial purposes and to drain clean and soda water and non-aggressive liquids.

### MATERIALS

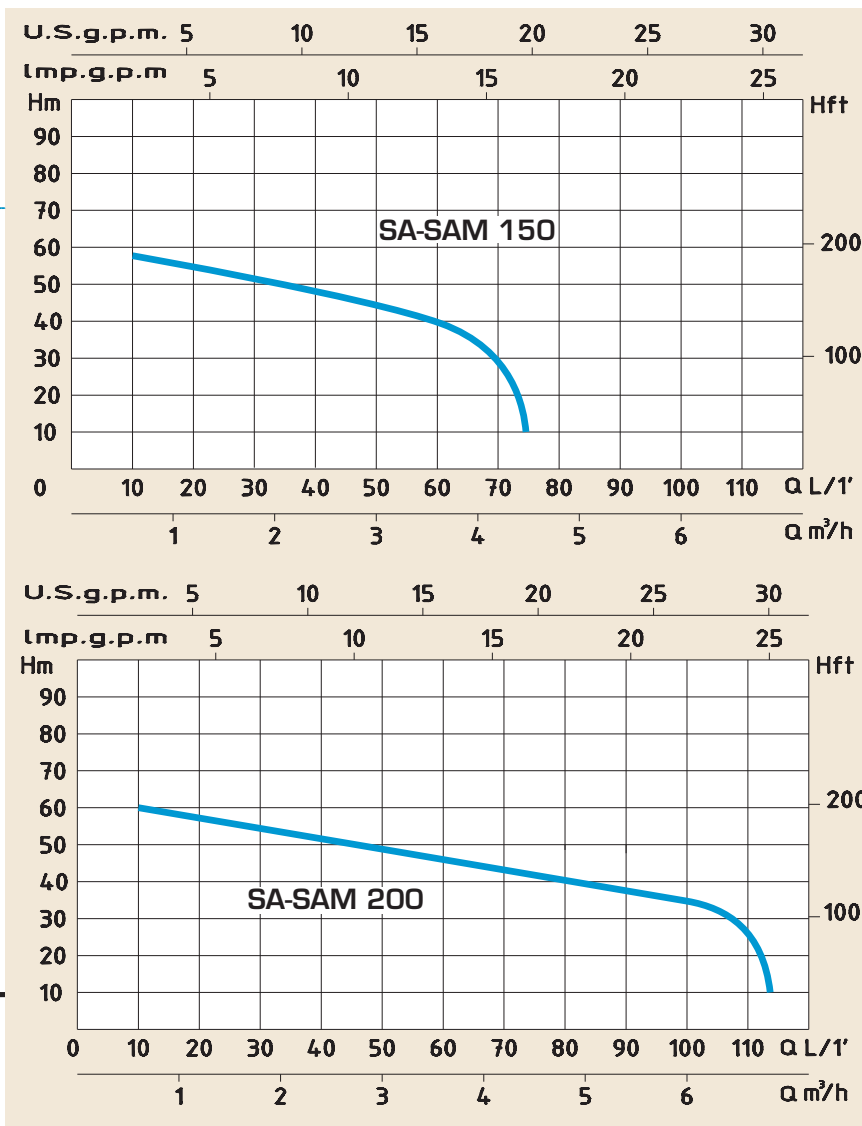
- Pump body Cast Iron
- Motor Support Cast Iron
- Impeller Noryl
- Diffuser Noryl
- Ejector Cast Iron
- Shaft with rotor Stainless Steel
- Mechanical seal Carbon/Ceramic

### OPERATING CONDITIONS

- Liquid temperature up to 35°C
- Ambient temperature up to 40°C
- Total suction lift up to 9 mt.
- Continuous duty

### MOTOR

- Two-Pole induction motor (n = 2850 min<sup>-1</sup>)
- Insulation Class F
- Protection IP 44



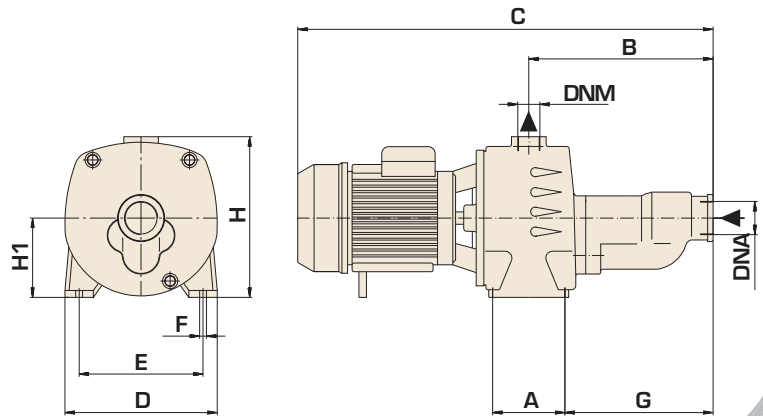
### TECHNICAL DATA

TYPE		NOMINAL POWER P2		INPUT POWER P1	AMPERE		Q = CAPACITY										
Single-phase	Three-phase	HP	kW	kW	Single-phase	Three-phase	m³/h	0,	1,2	1,8	2,4	3	3,6	4,2	4,8	5,4	6
230V-50Hz	230/400V-50Hz				1 x 230V	3 x 400V	lt/1'	6	20	30	40	50	60	70	80	90	100
<b>SAM 150</b>	<b>SA 150</b>	1,5	1,1	1,5	7	3	H	58	55	51	47	42	40	35			
<b>SAM 200</b>	<b>SA 200</b>	2	1,5	2	9,3	4,2	(m)	60	57	53	50	47	35	44	40	38	35

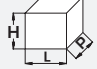
## TWIN IMPELLER SELFPRIMING PUMPS



# SAM



### DIMENSIONS AND WEIGHTS

TYPE		DIMENSIONS mm											DIMENSIONS mm 			Weight
Monofase Single-phase	Trifase Three-phase	A	B	C	D	E	F	G	H	H1	DNA	DNM	P	L	H	Kg
<b>SAM 150</b>	<b>SA 150</b>	104	265	605	220	172	10	212	240	115	1" 1/2	1"	235	615	275	28
<b>SAM 200</b>	<b>SA 200</b>	104	265	605	220	172	10	212	240	115	1" 1/2	1"	235	615	275	29